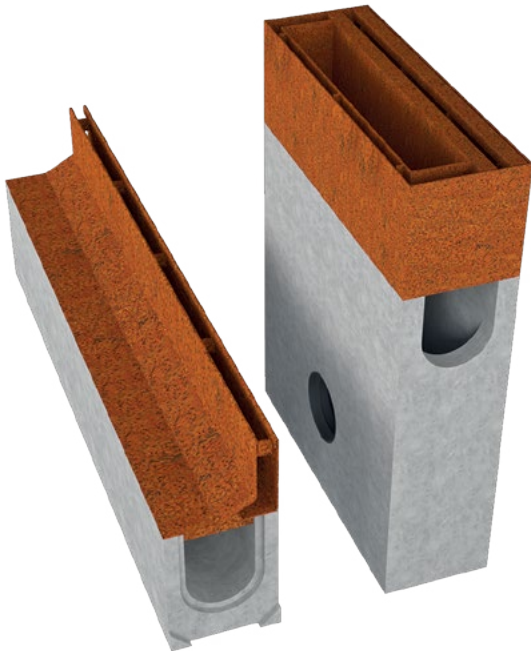


SLOT COVERS FOR DRAIN CHANNELS MANUFACTURED IN OUR OWN FACTORY

MANUFACTURED FROM GALVANISED, STAINLESS AND COR-TEN (CORrosion resistant/TENsile strength) STEEL



In its own factory Aquafix designs and manufactures slot covers for all types and brands of drain channels. This new generation of channel drainage systems is unnoted and can be used as an ideal solution for drainage in city centers, shopping centers and in front of building facades and entrances.

The slot cover will be manufactured on customer specification and can be produced in galvanised, stainless or Cor-Ten (CORrosion resistant/TENsile strength) steel.

Almost everything is possible, all models can be designed for load class A. 15kN up to class D. 400kN. The slot covers we produce, fit on drain channels with an internal width of 100, 150, 200, 250 & 300 mm. Other sizes are also possible on request. For the dirt catchers and the 500 mm drain channels we produce removable slot covers for easy inspection.

The slot cover elements for the drain channels can be produced in a length of 1000 and 2000 mm. The inspection elements for drain channels and dirt catchers have a length of 500 mm.

We can also deliver the bodies for the drain channels. In stock we have channelbodies made of polyester concrete and fiber concrete. Ask our sales department for the possibilities.

BENEFITS

- Load class acc. EN-1433 class A. 15kN, B. 125kN, C. 250kN & D. 400kN. possible.
- To use for drain channels with an internal width of 100, 150, 200, 250 & 300 mm.
- Other sizes and specials are possible on request.
- Visible or hidden options available.
- Removable slot covers for inspection and cleaning.
- Produced in galvanised, stainless (304 & 316) and Cor-Ten steel.
- We can also deliver the bodies for the drain channels but is not necessary, you can also apply your own drain channel.

